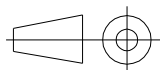
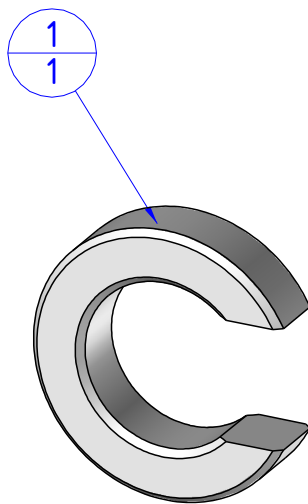
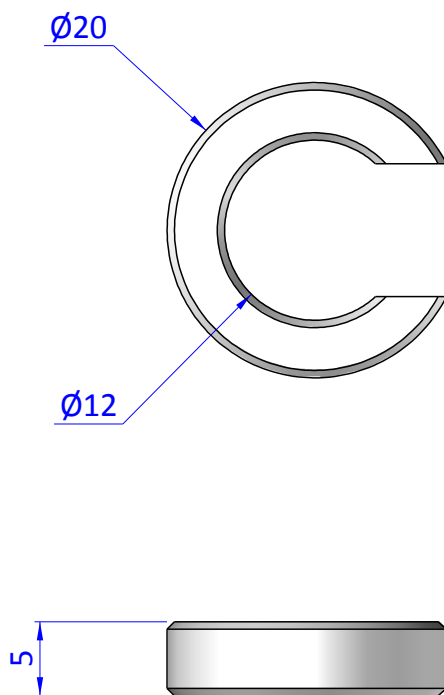


THE PROPERTY OF THE DRAWING IS ESTABLISHED BY LAW. IT IS FORBIDDEN TO PRODUCE OR SHOW IT TO THIRD PART. WITHOUT A WRITTEN AGREEMENT.

Item	Name	Q.ty
1	DB.05.25	1



DESIGNED FROM	FPS Automation		REVIEW
DATE	07/06/2019	WEIGHT	A
CODE	CA.DB.05.25		
			0,001kg

Format	A4
UNI 936-76	

GENERAL TOLERANCE	DESCRIPTION
UNI - ISO 2768	CA.DB.05.25
CLASSE f	